

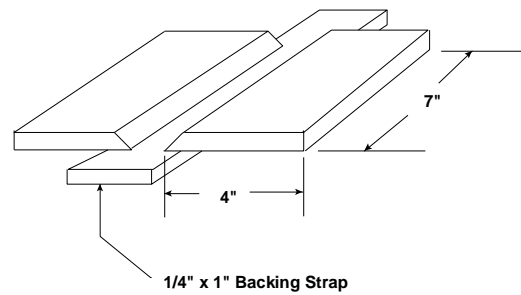
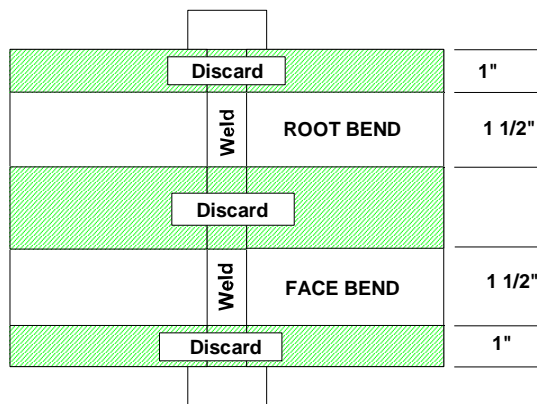
AWS Structural Welder Qualification Test

National Certification

Test #: D1-SM-F4-P-A-L

Shielded Metal Arc Welding (SMAW) - E7018

3/8" Limited Thickness Test (Two positions: 3G - vertical & 4G - overhead)



- Fill shall consist of stringer beads.
(Stringer bead width shall be 2 to 3 times the diameter of the electrode).
Example: 1/8" E7018, maximum bead width=3/8"
- Root pass may be done with 3/32" or 1/8" E7018 electrode.
- Fill and cover passes may be done with 3/32" or 1/8" E7018 electrode.
- Grinding allowed (except on cover passes).
- 45 minute time limit per position.

